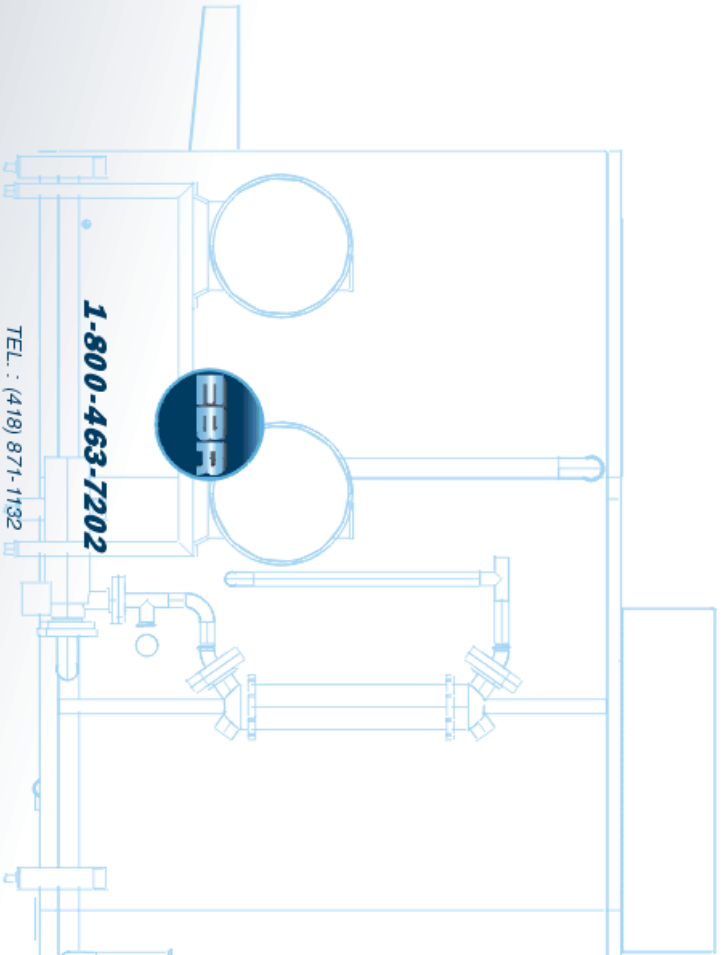
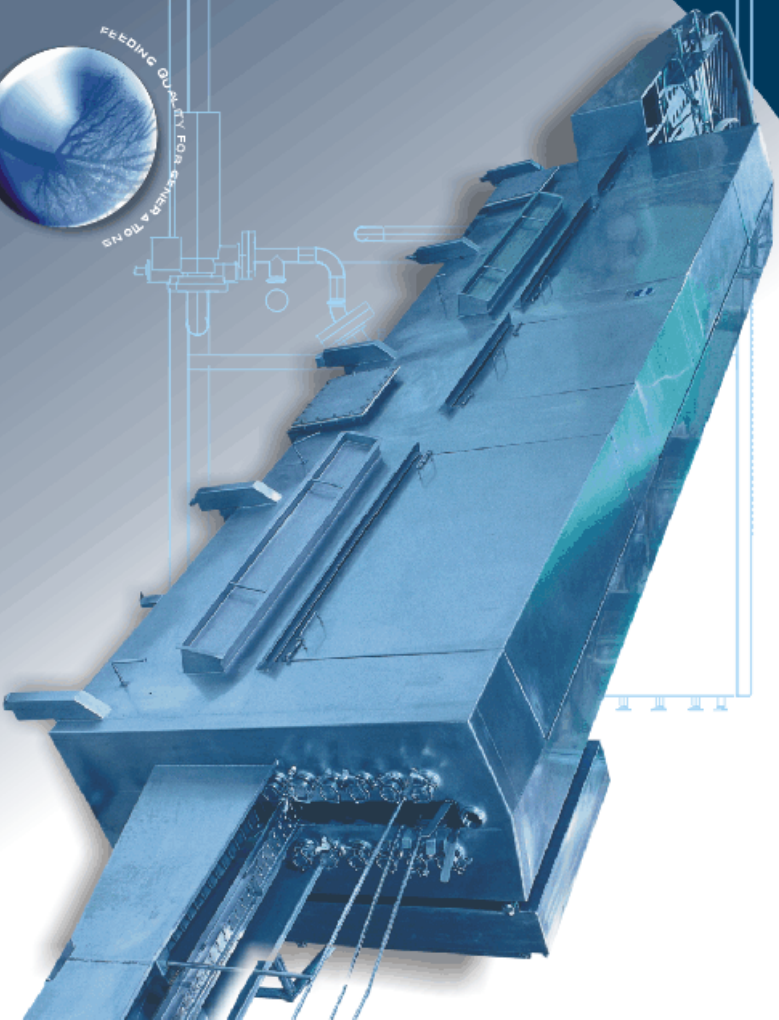




**THE EBR LCM SERIES**



**1-800-463-7202**

TEL. : (418) 871-1132

E-MAIL : [ebr-inc@edrequipment.com](mailto:ebr-inc@edrequipment.com)

FAX : (418) 877-2983

5415, Fidaeu street, Quebec city (Quebec) Canada G2E 5V9



## THE EBR-LCM SERIES

The EBR-LCM

series of case washers, continuously wash all kinds of cases, drums or moulds. Custom designed, they meet all your specific demands and also provide you with fast, efficient and low cost cleaning for many years. All EBR-LCM washers are made exclusively with stainless steel and are equipped with stainless steel pumps. Large doors provide easy access to the interior components. Filtration baskets are accessible by full width rectangular doors. The conveyor system is designed according to your specifications and containers. As for larger containers, a reversal system is adapted to invert your containers while washing in-line. All heating systems are allowed such as: electrical elements, direct steam injection, shell and tube or plate heat exchangers. The water level inside the EBR-LCM case washer can be controlled automatically.

### ADVANTAGES

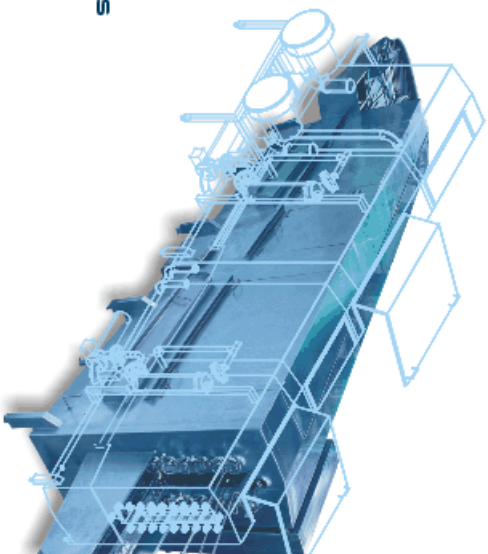
- 1- Reduces manpower
- 2- Increases productivity
- 3- Washes efficiently
- 4- Saves water and energy

### STANDARD FEATURES

- 1- Single shell design
- 2- In-line washing
- 3- Filter for each individual section
- 4- EBR design spray deflections
- 5- Easy, no tools disassembly of internal piping
- 6- Mechanical water level control
- 7- Pressure gauges and indicating thermometers
- 8- Electrical main control panel

### APPLICATIONS

- 1- Stainless steel or plastic cheese hoops including barrels
- 2- Plastic cases for milk, beverage and brewery
- 3- Trays, pans and delivery boxes
- 4- Pallets, carts and notes
- 5- Any reusable washable containers



### BLOWER SYSTEM (OPTIONAL)

An optional blower system is available to remove excess water on the containers. The blower system can be attached near the end of the washer or separately mounted on the line, maximizing the use of space.

### STEAM EVACUATION AND CONTROLS

As an option, steam evacuation system can be efficiently installed anywhere on the EBR-LCM washer series. This particular device reduces the fog created by the washer. Consenting controls, almost everything is possible: temperature controllers for each section, pumps running dry protection systems, high/low water level devices with alarm, containers back up stopping system and many more! Please, consult sales.

### JET SYSTEM

EBER jet system is especially designed to adjust the pattern of pulverization. The EBR-LCM conveyor guiding system ensures that all the areas and surfaces of the containers come in contact with the sprays. A stainless steel interior and extra hot piping is easily taken apart using a Tri-clamp connection. Pipe cleaning is made accessible and efficient due to easily open end piping.

### MOTORIZED CONVEYOR SYSTEM (OPTIONAL)

A large variety of motorized conveyor with fixed or variable speed is available upon request. The EBR-LCM stand and model is thermoplastic, but floor chain or base manual conveyors are also available with special applications. A brush system can be applied in the washers sections, which efficiently remove any dirt from containers. If requested, washers rawls can be insulated reducing energy consumption.

### WASHER CONFIGURATION

The EBR-LCM in-line continuous washers can be configured to fit any places or rooms in your plant. Machine could be configured with 90° curves. The conveyor can be configured for one person operation. Consult EBER engineering department for more details.



The field proven EBER spray system offers a wide variety of spray patterns to enhance the washing power requested for the removal of the any soils.